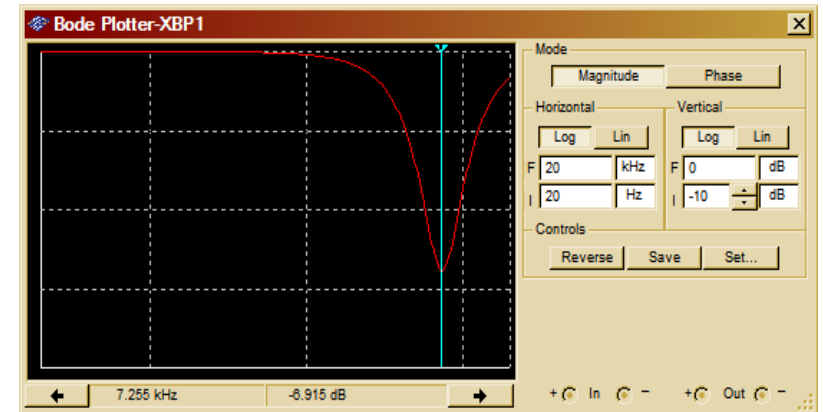
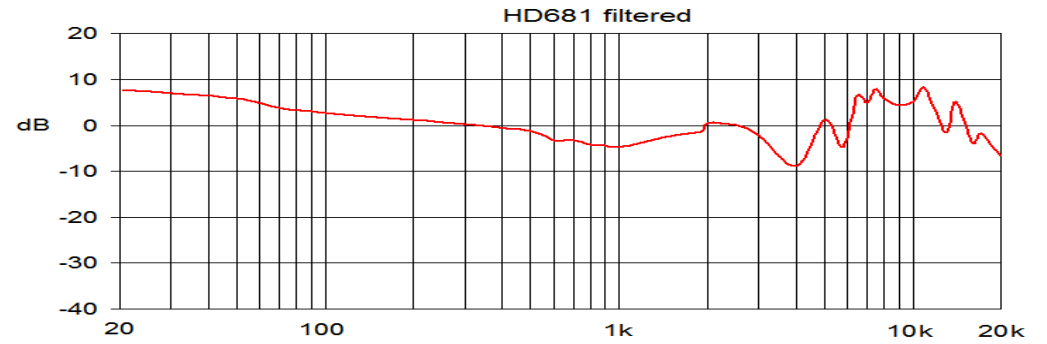
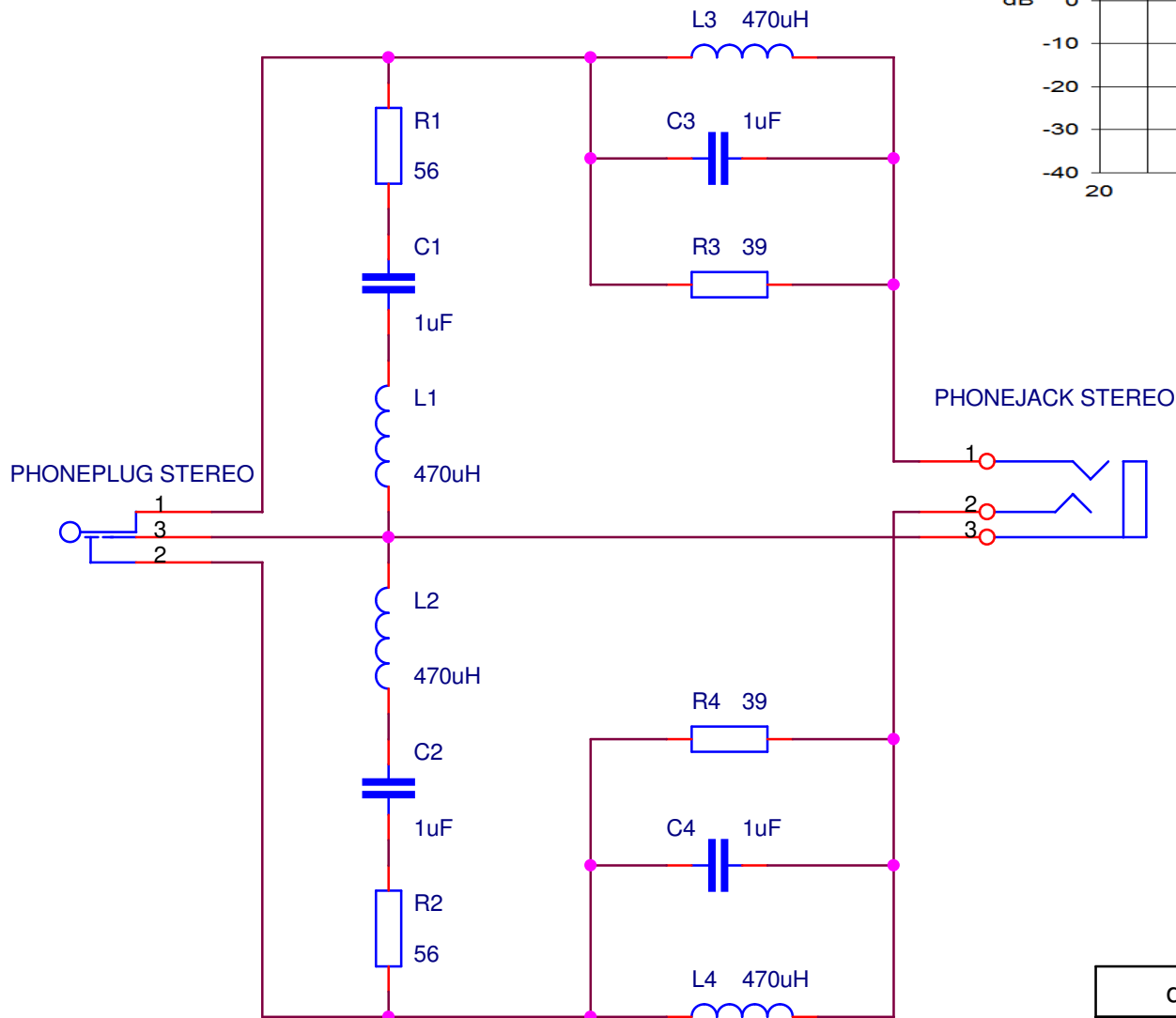


NOTE: Rdc L1 - L4 max. 2.5 Ohms
 Vdc C1 - C4 min. 16Vdc



designed by F. de Gruijter, Waddinxveen, The Netherlands

| | | |
|--------------|---------------------------|--------------|
| Title | | |
| HD681 Filter | | |
| Size | Document Number | Rev |
| A4 | GRUFR1109 | D |
| Date: | Friday, November 20, 2009 | Sheet 1 of 1 |